

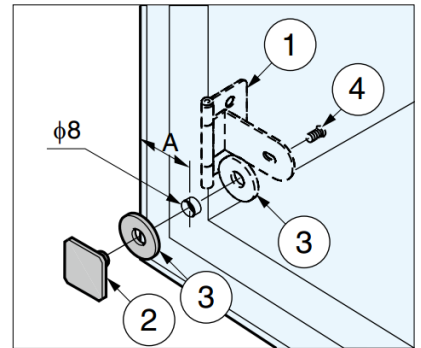
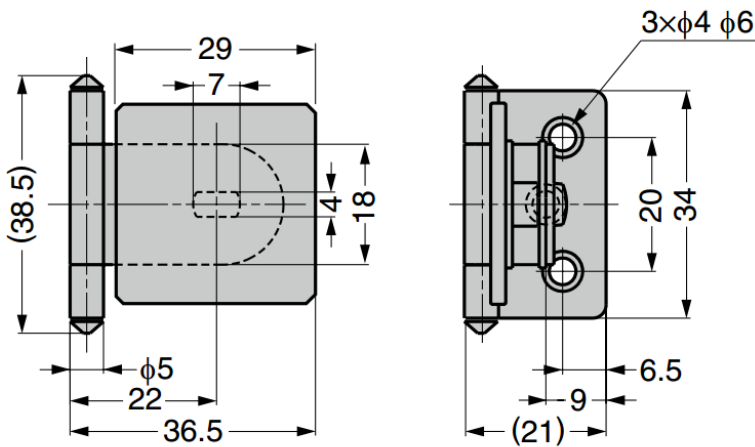
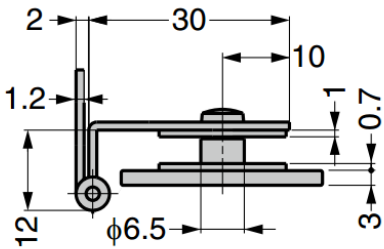
GGH34-0CR-K Insert Glass Door Hinge

Features

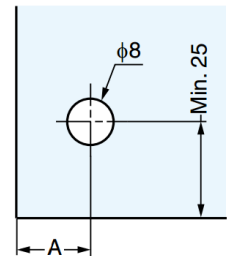
- Hinge for glass/acrylic doors
- Round plate type **GGH34-0CR** also available

Notes

- Recommended for use in pairs
- Use screw loosening prevention agent when mounting screws
- Recommended door dimensions in the below table are based on usage of two hinges for one door



Cut Out Dimensions



Boring position changes with the glass thickness.

| Glass Thickness | A |
|-----------------|----|
| 4 | 19 |
| 5 | 18 |
| 6 | 17 |

| No. | Part Name | Material | Finish / Colour |
|-----|-----------|------------------|-----------------|
| ① | Body | Steel | Chrome |
| ② | Plate | Zinc Alloy (ZDC) | |
| ③ | Washer | PVC | Clear |
| ④ | Screw | Steel | Nickel |

| Part No. | Door Width | Door Height | Glass Thickness | Load Capacity (per pair) |
|--------------------|------------|-------------|-----------------|--------------------------|
| GGH34-0CR-K | Max. 450 | Max. 700 | 4, 5, 6 | 39 N 4 kg |